

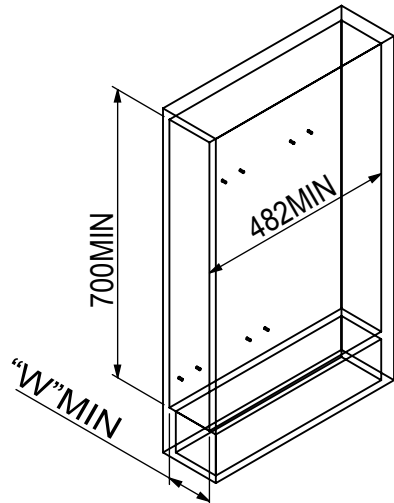
A010-150/200/250/300/350/400-3 FIXING MENU



1. List of accessories :

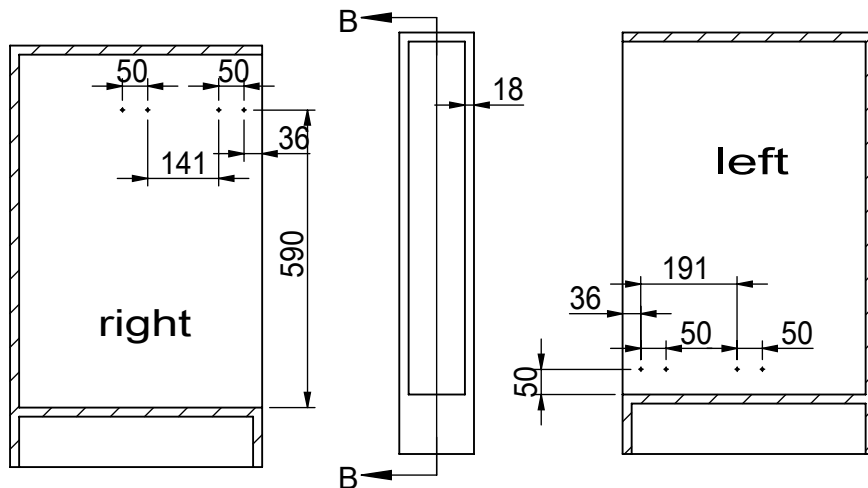
A. 1PCS	B. 1SET	C. 4PCS	D. 2PCS	E. 12PCS	F. 2PCS	G. 4PCS
		 250mm 300mm 350mm 400mm		 ST4*16	 M4*6	 M5*8

2. Select the right cabinet

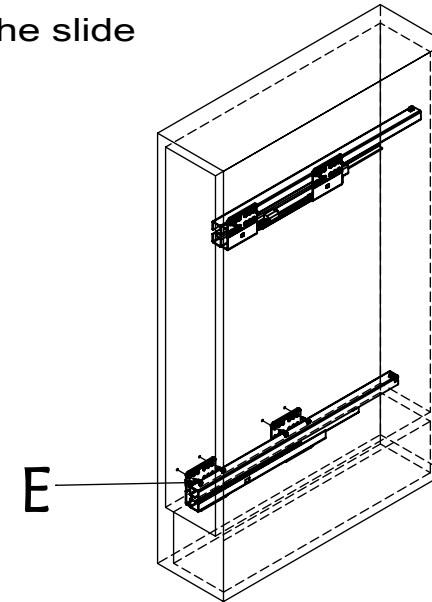


Cabinet size	Size "W"
150	112~114
200	162~164
250	212~214
300	262~264
350	312~314
400	362~364

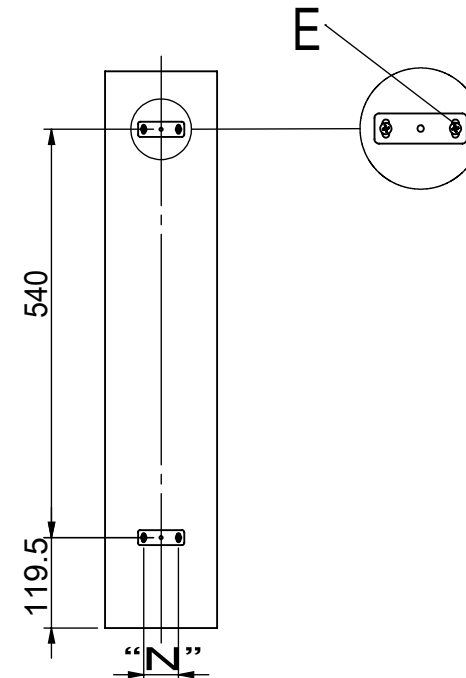
3. Drill slide mounting holes



4. Install the slide



5. Install the door panel fastener



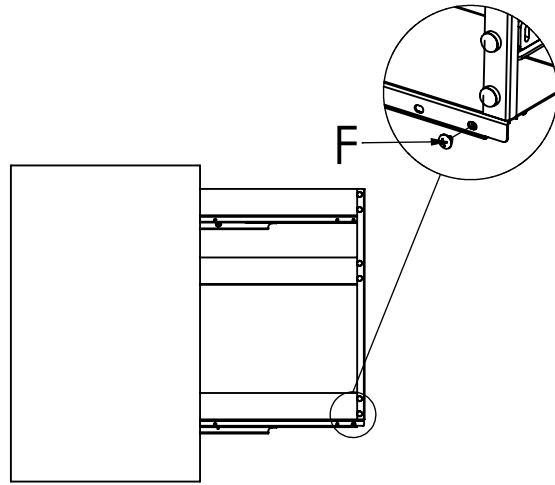
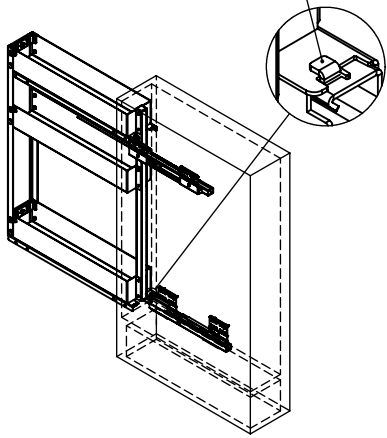
Cabinet size	Size "N"
150MM	46
200MM	96
250MM	146
300MM	196
350MM	246
400MM	296

A010-150/200/250/300/350/400-3 FIXING MENU

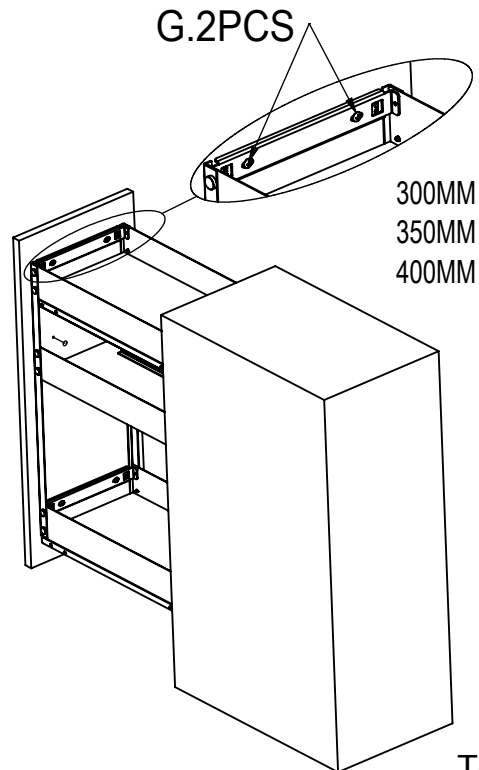
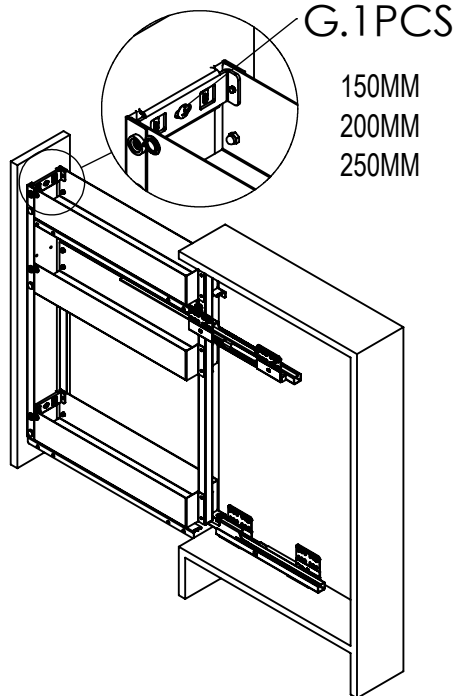


6. Install the basket

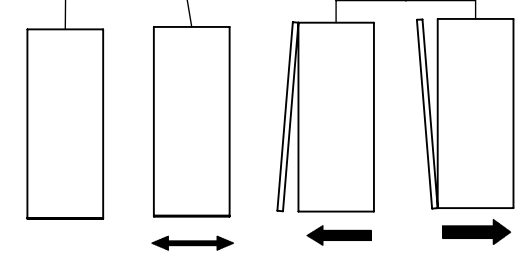
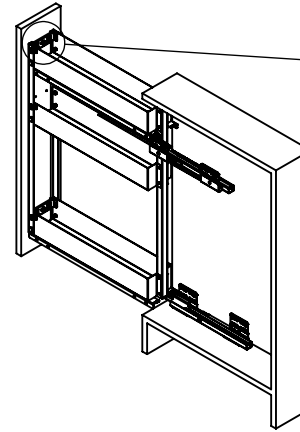
Hang this position



7. Assembly door panel and basket



8. Adjust the door panel



9. Install the split

